

## RECOVERY POINTS

<b>Part Number:</b>	2D.1807.1
<b>Suited to vehicle:</b>	Ford Ranger 2015-
<b>Material:</b>	Steel 20 mm
<b>Dimensions:</b>	304x219x20 mm
<b>Weight:</b>	12 kg
<b>Rated:</b>	5000 kg



## SAFETY NOTICE

- \* The RIVAL recovery points are designed to compliment the use and design of the specified vehicle under conditions specified by the car manufacturer.
- \* While driving the vehicle at any speed, collision with any other vehicle, animal or object must always be avoided.
- \* The operation of a vehicle where the recovery points are not properly attached and fastened to the vehicle, or where it has been damaged, must be avoided at all cost.
- \* It is recommended that you carry out regular inspections of all fittings.

## INSTALLATION NOTICE

- \* The RIVAL recovery points must be mounted and affixed to the vehicle according to the installation manual provided by an authorized RIVAL dealer or Motor dealer or by a special vehicle repair or fitment center.
- \* Personal safety during the installation process must be adhered to at all times and the use of personal safety equipment is highly recommended.

## REQUIRED TOOLS

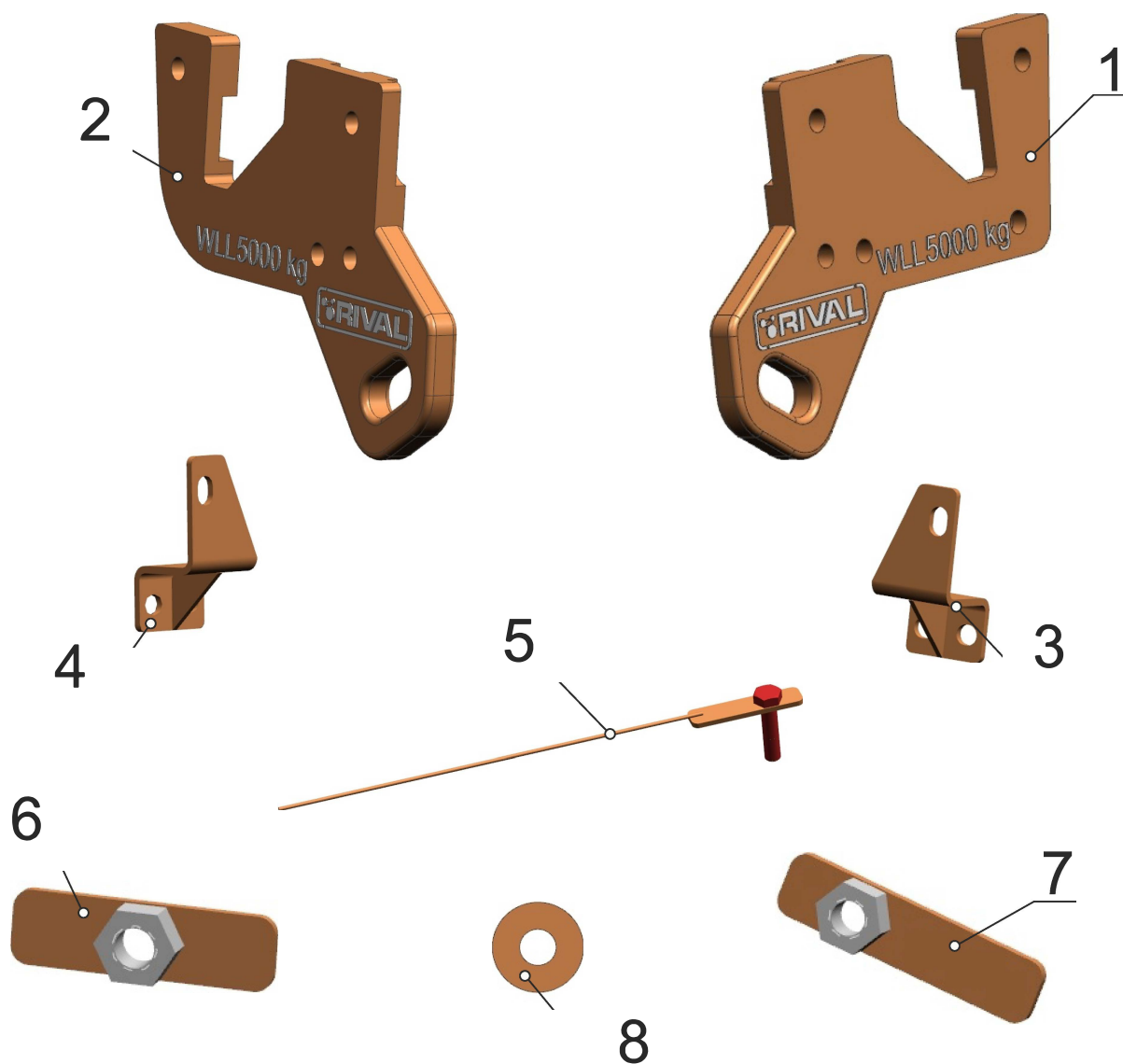
- \* Basic tool kit
- \* Angle grinder

## TORQUE SETTINGS

\* M12 | 77 Nm

# PARTS LISTING

1. Left recovery point.....	1 pc
2. Right recovery point.....	1 pc
3. Left bracket.....	1 pc
4. Right bracket.....	1 pc
5. Insert nut with bolt.....	4 pc
6. Insert nut M12.....	4 pc
7. Insert nut M12.....	1 pc
8. Adjusting washer.....	1 pc
9. Bolt M12x30.....	2 pc
10. Bolt M12x50.....	7 pc
11. Nut M12.....	5 pc
12. Washer 12.....	15 pc
13. Spring washer 12.....	5 pc



# INSTALLATION PROCEDURE



1. Open the bonnet.
2. Disconnect the negative battery terminal cable.



3. Remove 4 screws from inside of the fenders on each side of the vehicle.

**\* Set aside for re-use later**



4. Remove 8 screws out of lower lip of the bumper.

**\* Set aside for re-use later**



# INSTALLATION PROCEDURE



5. Remove 4 screws out of radiator grill.  
**\* Set aside for re-use later**



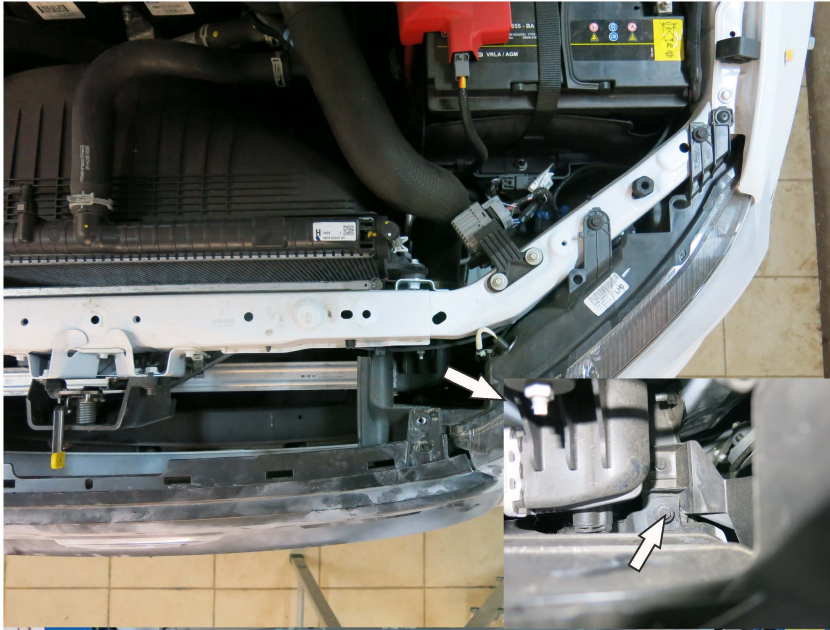
6. Remove upper panel.



7. Remove 2 screws out of radiator grill.  
**\* Set aside for re-use later**



# INSTALLATION PROCEDURE



8. Remove 2 screws out of radiator grill.  
Remove radiator grill.

**\* Set aside for re-use later**



9. Remove plastic plugs out of bumper.

**\* Set aside for re-use later**



10. Deinstall the bumper. Pull the bumper towards you holding the sides.



# INSTALLATION PROCEDURE



11. Remove the plugs out of the panel.  
Remove the panel.

**\* Set aside for re-use later**



12. Remove 2 bolts out of skid plate.

**\* Set aside for re-use later**



13. Remove 4 bolts out of front bar.  
Remove the bar.

**\* Set aside for re-use later**

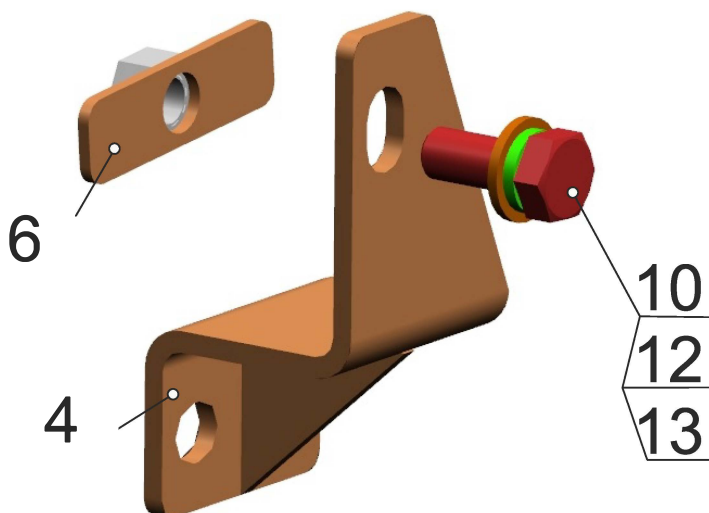
# INSTALLATION PROCEDURE



14. Place insert nuts (5) into the chassis and pull the bolt out of the hole as shown.



15. Place insert nut (6) into the chassis.

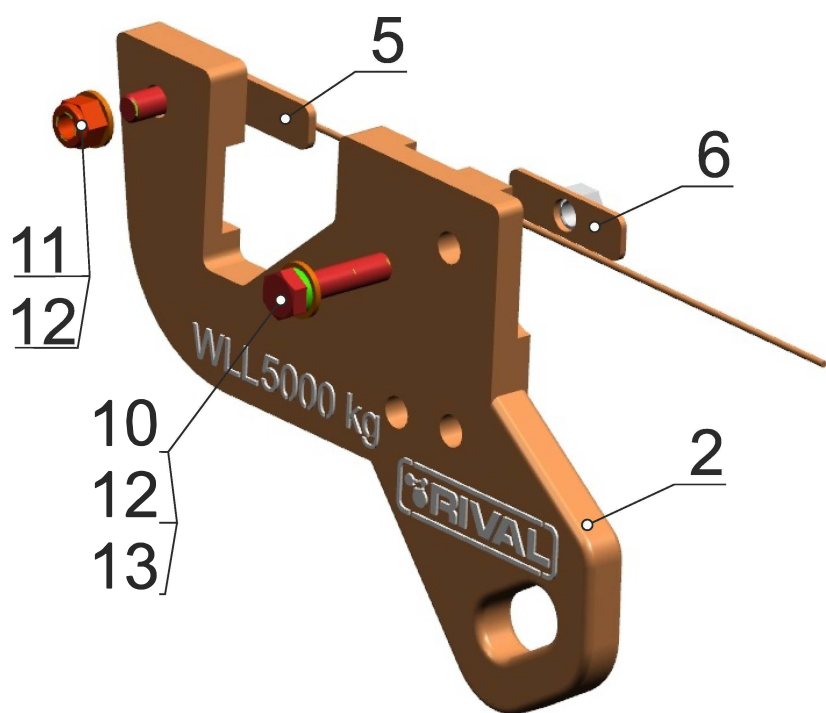


16. Mount brackets (3) (4) to the chassis from inner side and fix them by bolts M12x30 (9) and washers (12) (13) to insert nut (6).

**DO NOT TIGHTEN YET.**



# INSTALLATION PROCEDURE



17. Install right recovery point (2) to the chassis, fix it by bolt M12x50 (10) and washers (12) (13) to insert nut (6). Also fix it by nut M12 (11) and washer (12) to insert nut (5).

DO NOT TIGHTEN YET.

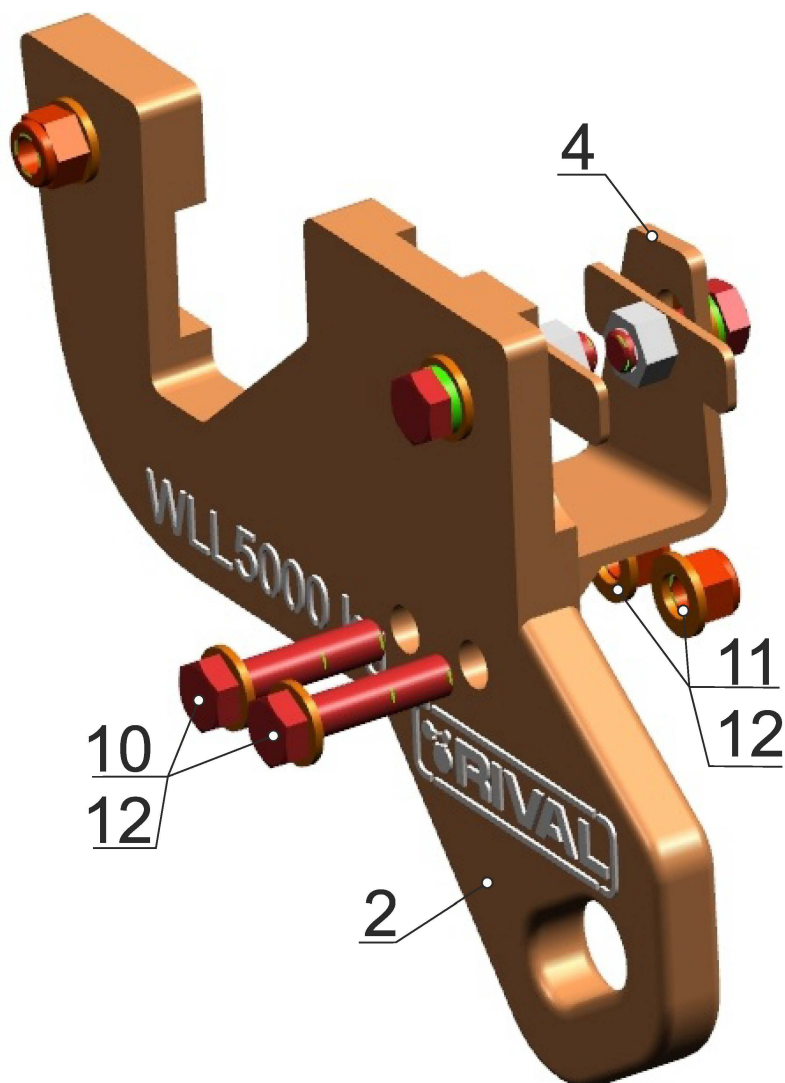




# INSTALLATION PROCEDURE

18. Mount recovery point (2) to bracket (4) using bolts M12x50 (10), nuts M12 (11) and washers (12).

Tighten all nuts and bolts.



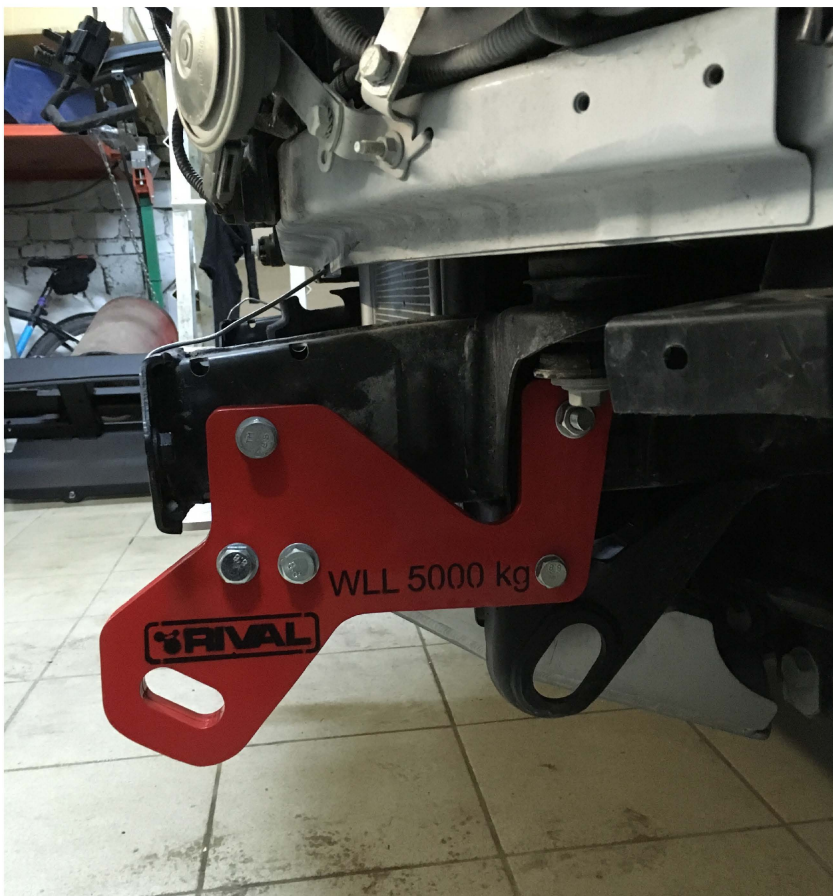
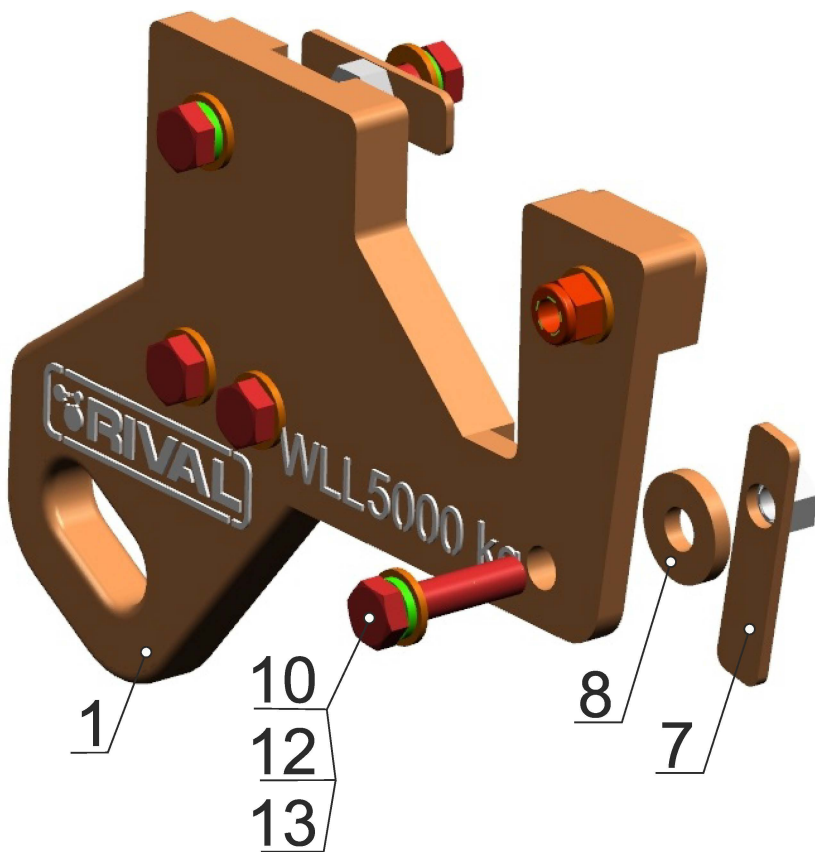
# INSTALLATION PROCEDURE

19. Mount recovery point (1) to bracket (3) in same way as in step 18.

In the bottom, fix it by bolt M12x50 (10) and washers (12) (13) to insert nut (7) through the hole in OE recovery loop.

If necessary, put adjusting washer (8) between OE loop and recovery point (1).

Tighten all nuts and bolts.





# INSTALLATION PROCEDURE



20. Install front bumper and the grill to the vehicle.

# INSTALLATION PROCEDURE

**Before operating a vehicle fitted with a RIVAL recovery points, make sure all fittings are tightened.**

