**READ ME !** 

Thank you for purchasing Front Runner Foxwing Awning Brackets.

Before you start, take a moment to familiarize yourself with the Fitting Instructions and the components received.

Refer to Page 2 for a list of all the components, quantities and tools required.

**IMPORTANT WARNING!** 

IT IS CRITICAL THAT ALL FRONT RUNNER PRODUCTS BE PROPERLY AND SECURELY ASSEMBLED AND ATTACHED TO YOUR VEHICLE. IMPROPER ATTACHMENT COULD RESULT IN AN AUTOMOBILE ACCIDENT, AND COULD CAUSE SERIOUS BODILY INJURY OR DEATH. YOU ARE RESPONSIBLE FOR ASSEMBLING AND SECURING ALL FRONT RUNNER PRODUCTS TO YOUR VEHICLE, CHECKING THE ATTACHMENTS PRIOR TO USE, AND PERIODICALLY INSPECTING THE PRODUCTS FOR ADJUSTMENT, WEAR AND DAMAGE. THEREFORE, YOU MUST READ AND UNDERSTAND ALL OF THE INSTRUCTIONS AND PRECAUTIONS SUPPLIED WITH YOUR FRONT RUNNER PRODUCT PRIOR TO INSTALLATION OR USE. IF YOU DO NOT UNDERSTAND ALL OF THE INSTRUCTIONS AND CAUTIONS, OR IF YOU HAVE NO MECHANICAL EXPERIENCE AND ARE NOT THOROUGHLY FAMILIAR WITH THE INSTALLATION PROCEDURES, YOU SHOULD HAVE THE PRODUCT INSTALLED BY A PROFESSIONAL INSTALLER OR OTHER QUALIFIED PERSONNEL.

**NOTE:** Front Runner will not be responsible for any damage caused by the failure to install the product according to these instructions.

Please call us if you have any questions about the installation of this product.

# 1

## GET ORGANIZED

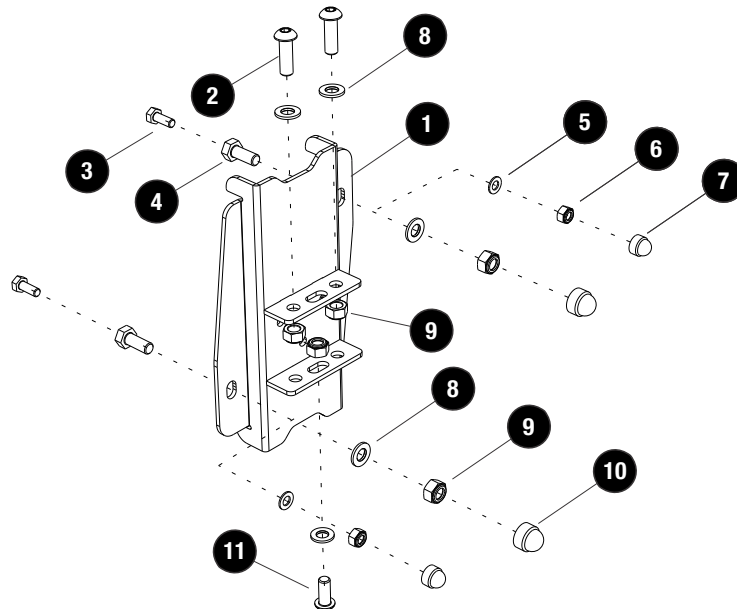
### IN THE BOX

1	3 X	Foxwing Awning Bracket
2	6 X	M8 x 25 Button Head Bolt
3	15 X	M6 x 16 Hex Bolt
4	6 X	M8 x 20 Hex Bolt
5	15 X	M6 x 12 x 1SS Flat Washer
6	15 X	M6 Nyloc Nut
7	6 X	M6 Nut Cap
8	15 X	M8 x 16 x 1.6SS Flat Washer
9	15 X	M8 Nyloc Nut
10	6 X	M8 Nut Cap
11	3 X	M8 x 20 Button Head Bolt

### TOOLS NEEDED

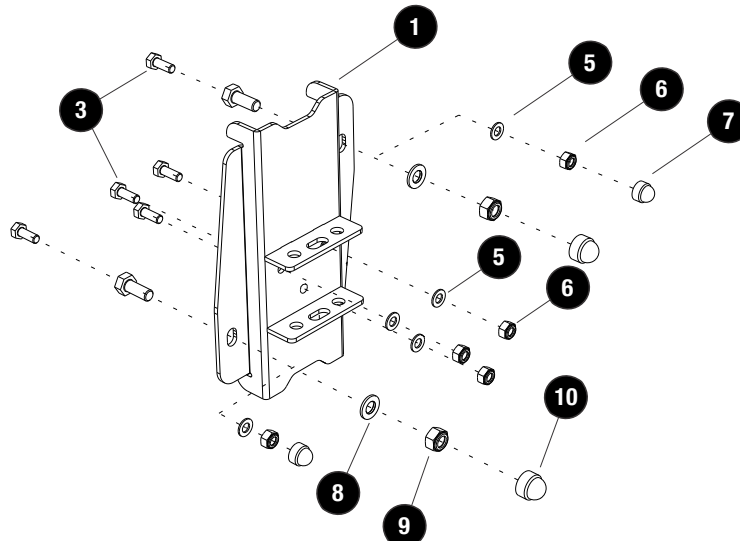


FIGURE 1.1



**SLIMLINE II RACK**  
(STEPS 2.1 - 2.3)

FIGURE 1.2

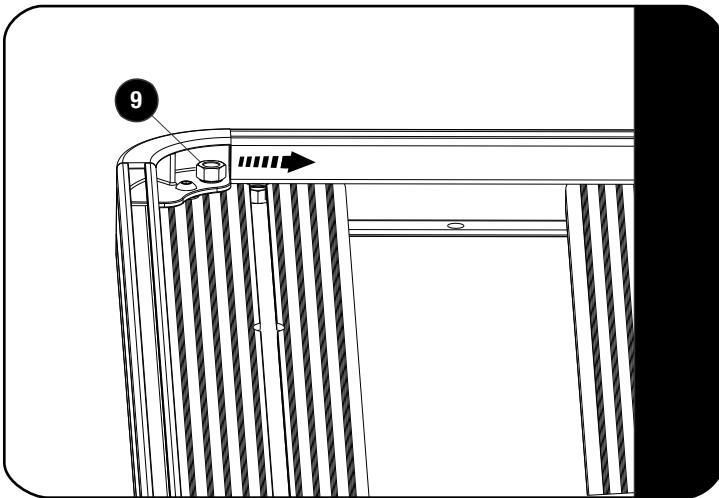


**SLIMLINE RACK**  
(STEPS 3.1 - 3.3)

**2**

**FIT AND SECURE TO SLIMLINE II RACK**

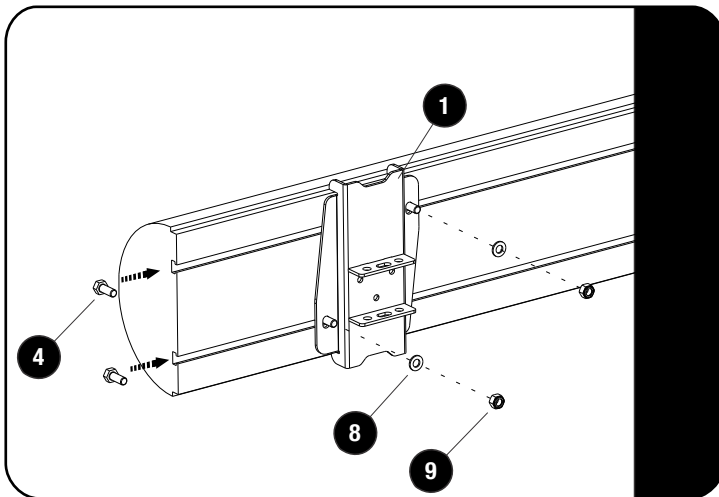
2.1



Decide on which side of the Slimline II Rack you would like to install the awning.

On the chosen side, slide six M8 Nyloc Nuts (Item 9), dome side down into the T-slot channel through the gap in the corner of the Rack as shown. Two M8 Nyloc Nut will be used for each Awning Bracket. Spacing of the Nyloc Nuts will depend on the length of the Rack and the awning. The Awning Brackets must be positioned between two Slats.

2.2

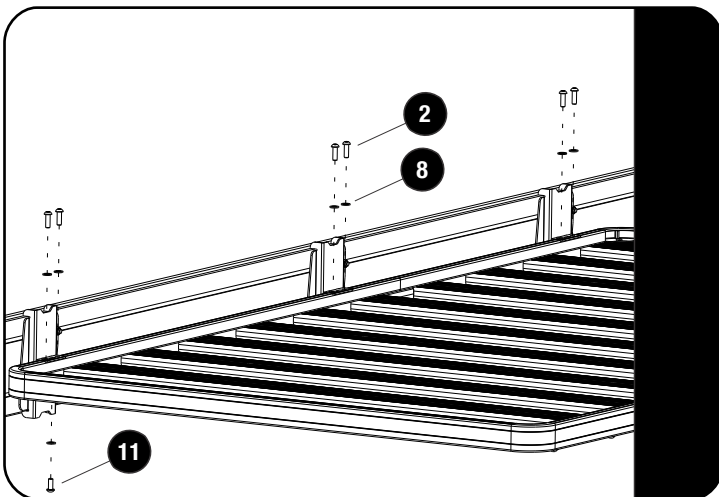


Depending on the extrusion that the awning is mounted to, you will use either M6 or M8 fasteners. For this example we will be using M8 fasteners.

On the back of the awning, slide six M8 x 20 Hex Bolts (Item 4) into the extrusion, three Hex Bolts in the top slot and three in the bottom slots as shown in 2.2.

Place the Awning Brackets (Item 1) over the M8 x 20 Hex Bolts (two per bracket) and loosely secure the Brackets to the awning using six M8 x 16 x 1.6SS Flat Washers and six M8 Nyloc Nuts (Items 8 & 9) and space the Brackets as required.

2.3



With the help of a friend, position the awning onto the Slimline II Rack.

Working from underneath, position the Awning Brackets so that they sit between two slats. Align the bottom holes in the Brackets with the holes in the side profile and secure the Brackets in position using three M8 x 20 Button Head Bolts, M8 x 16 x 1.6SS Flat Washers and M8 Nyloc Nuts (Items 8, 9 & 11),

Secure the top of the Brackets to the Rack using six M8 x 25 Button Head Bolts and M8 x 16 x 1.6SS Flat Washers (Items 2 & 8). The Bolts are fastened into the M8 Nyloc Nuts inserted in 2.1.

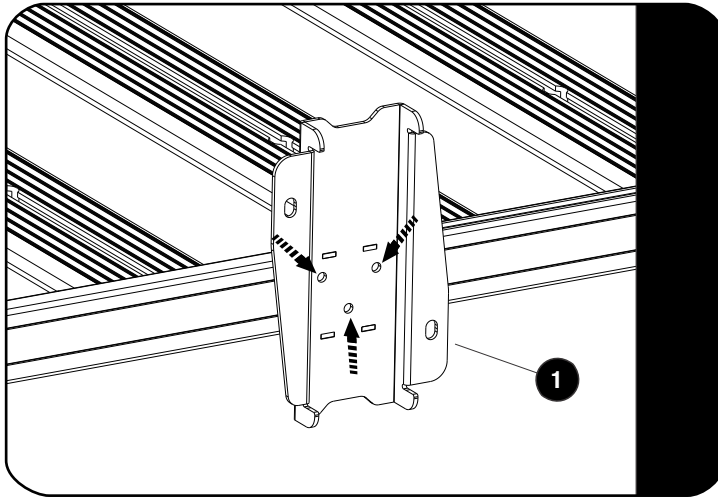
Position the awning left to right as desired and fully tighten the M8 Nyloc Nuts from 2.2.

Place M8 Nut Cups (Item 10) on the Nyloc Nuts.

**3**

**FIT AND SECURE TO SLIMLINE RACK**

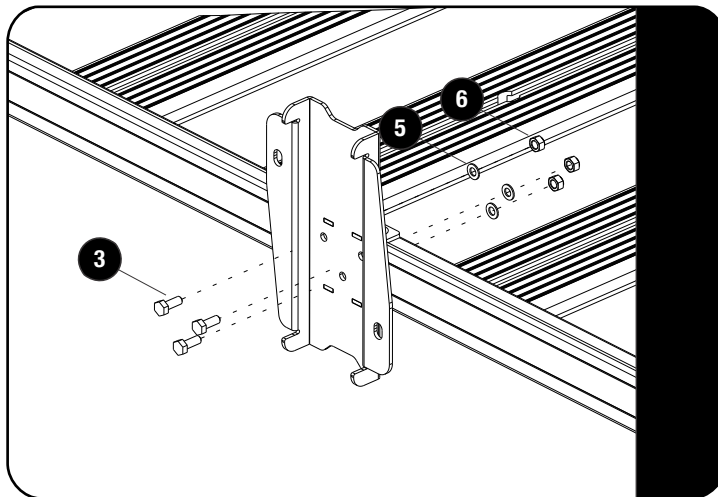
3.1



⌚ Decide which side of the Slimline Rack you would like to install the awning.

On the chosen side, Place two Awning Brackets (Item 1) on either end of the Rack. The Brackets must sit between two slats. Place the third Bracket in the center. Ensure that the two holes in the Bracket are at the top. Using a white marking pen, mark the position of the holes as indicated by the arrows, onto the Rack and remove the Brackets.

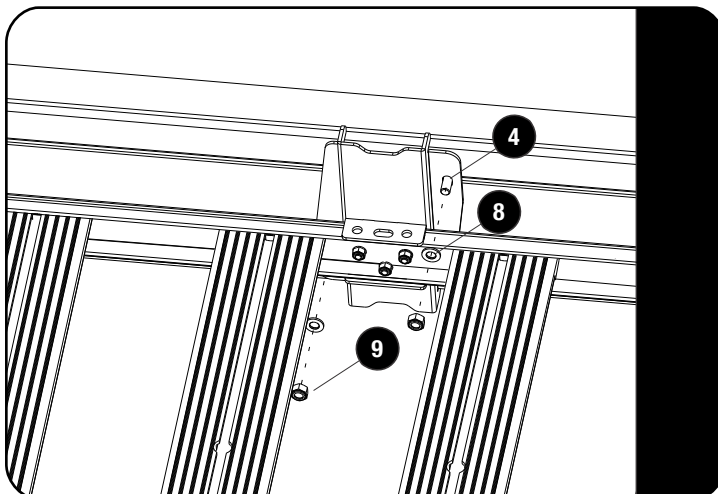
3.2



⌚ Drill a 6.5mm hole on each of the marks made in 2.1.

Place the awning brackets back on the Rack, aligning the holes in the Bracket with the holes you just drilled. Secure the Brackets to the Rack using nine M6 x 16 Hex Bolts, nine M6 Flat Washers and nine M6 Nyloc Nuts (Items 3, 5 & 6)

3.3



⚠ Depending on the extrusion that the awning is mounted to, you will use either M6 or M8 fasteners. For this example we will be using M8 fasteners.

⌚ On the back of the awning, slide six M8 x 20 Hex Bolts (Item 4) into the extrusion, three Hex Bolts in the top slot and three in the bottom slots as shown in 2.2.

Place the Awning Brackets (Item 1) over the M8 x 20 Hex Bolts (two per bracket) and loosely secure the Brackets to the awning using six M8 x 16 x 1.6SS Flat Washers and six M8 Nyloc Nuts (Items 8 & 9) and space the Brackets as required.

Place M8 Nut Cups (Item 10) on the Nyloc Nuts.

3

### **FINISH**

Congratulations! You did it. Take a step back and admire your work!

4

### **INSTALL OTHER VEHICLE AND RACK ACCESSORIES**

Now's the time to visit your favorite Front Runner Dealer in person or online.

Be sure to tag us. We love to see our gear in action! #FrontRunnerOutfitters #BornToRoam

Share your adventures on: 