**READ ME !** 

Thank you for purchasing a Front Runner Gas / Propane Cylinder Holder Side Mount.

Before you start, take a moment to familiarize yourself with the Fitting Instructions and the components received.

Refer to Page 2 for a list of all the components, quantities and tools required.

IMPORTANT WARNING! 

IT IS CRITICAL THAT ALL FRONT RUNNER PRODUCTS BE PROPERLY AND SECURELY ASSEMBLED AND ATTACHED TO YOUR VEHICLE. IMPROPER ATTACHMENT COULD RESULT IN AN AUTOMOBILE ACCIDENT, AND COULD CAUSE SERIOUS BODILY INJURY OR DEATH. YOU ARE RESPONSIBLE FOR ASSEMBLING AND SECURING ALL FRONT RUNNER PRODUCTS TO YOUR VEHICLE, CHECKING THE ATTACHMENTS PRIOR TO USE, AND PERIODICALLY INSPECTING THE PRODUCTS FOR ADJUSTMENT, WEAR AND DAMAGE. THEREFORE, YOU MUST READ AND UNDERSTAND ALL OF THE INSTRUCTIONS AND PRECAUTIONS SUPPLIED WITH YOUR FRONT RUNNER PRODUCT PRIOR TO INSTALLATION OR USE. IF YOU DO NOT UNDERSTAND ALL OF THE INSTRUCTIONS AND CAUTIONS, OR IF YOU HAVE NO MECHANICAL EXPERIENCE AND ARE NOT THOROUGHLY FAMILIAR WITH THE INSTALLATION PROCEDURES, YOU SHOULD HAVE THE PRODUCT INSTALLED BY A PROFESSIONAL INSTALLER OR OTHER QUALIFIED PERSONNEL.

NOTE: Front Runner will not be responsible for any damage caused by the failure to install the product according to these instructions.

Please call us if you have any questions about the installation of this product.

1

GET ORGANIZED

IN THE BOX

1	4 X	M8 x 30 Hex Bolt
2	10 X	M8 x 25 x 2 Flat Washer
3	1 X	Mounting Bracket
4	6 X	M8 Nyloc Nuts
5	1 X	Strap Support Bracket
6	1 X	Small Strap
7	1 X	Medium Strap
8	2 X	M14 Flat Washer
9	2 X	M8 x 25 Countersink Bolt

TOOLS NEEDED

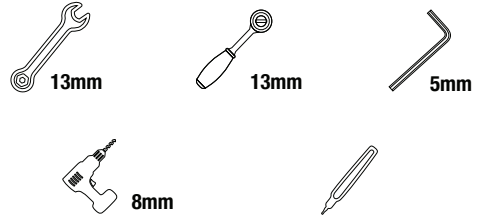
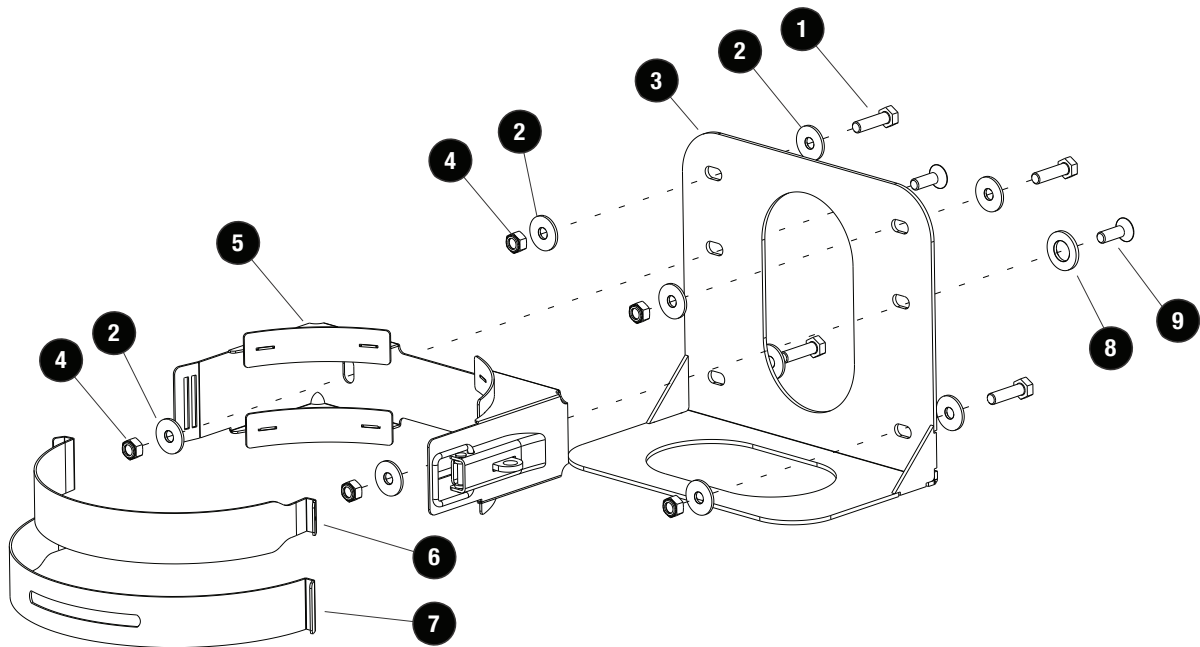


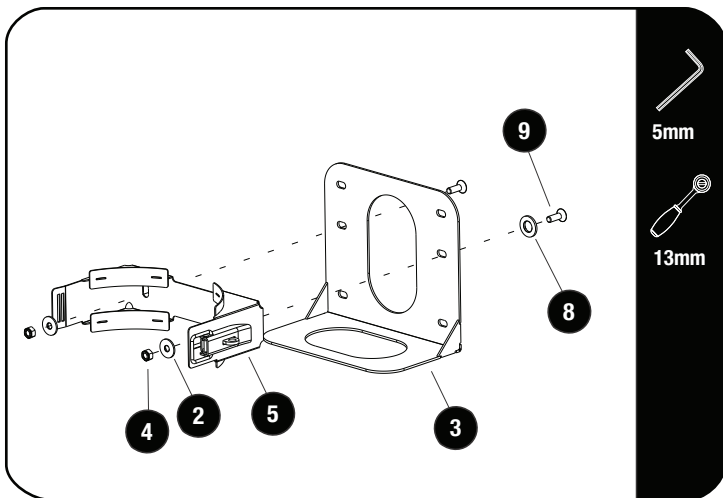
FIGURE 1.1



2

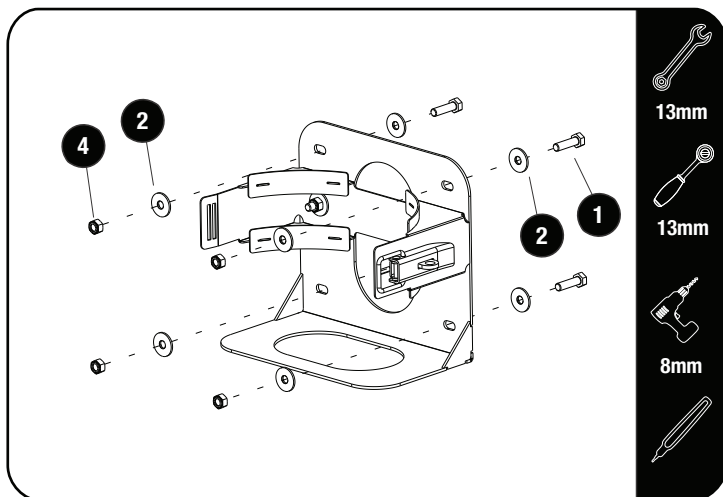
FIT AND SECURE

2.1



Assemble the Strap Support Bracket (Item 5) to the Mounting Bracket (Item 3) using two M8 x 25 Counter sink Bolts, two M14 Flat Washers, two M8 x 25 Flat Washers and two M8 Nyloc Nuts (Item 9, 8, 2 & 4).

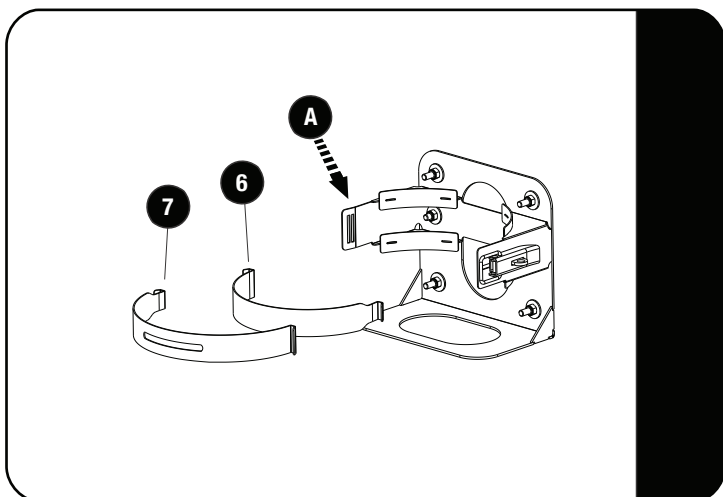
2.2



Decide where you would like to mount your Gas Bottle Holder. Place the holder in position and mark with a marker pen the four mounting holes. Drill a 8mm hole on each of your markings.

Secure the Gas Bottle Holder in position using four M8 x 30 Hex Bolts, eight M8 x 25 Flat Washers and Four M8 Nyloc Nuts (Item 1, 2 & 4).

2.3



Depending on the size of your Gas Bottle fit either of the two Straps supplied as shown in 2.3.

Insert the wide end of the appropriate Strap through the cut-out in the Bottle Support as shown in "A".

3

FINISH

Congratulations! You did it. Take a step back and admire your work!

4

INSTALL OTHER VEHICLE AND RACK ACCESSORIES

Now's the time to visit your favorite Front Runner Dealer in person or online.

Be sure to tag us. We love to see our gear in action! #FrontRunnerOutfitters #BornToRoam

Share your adventures on: 