



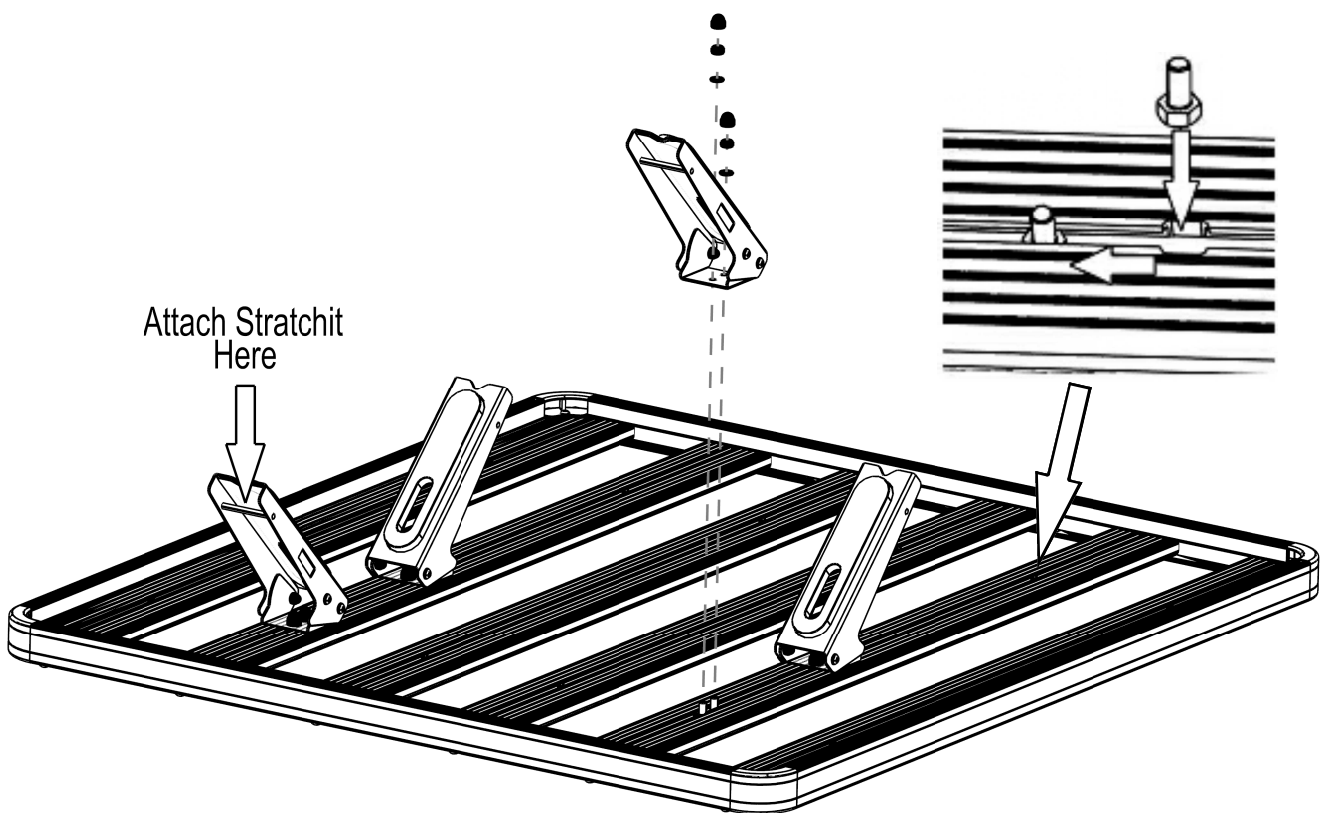
1 FIT YOUR CANOE / KAYAK CARRIERS

You will need:

- 10 & 13 mm Flat Wrench
- 4 mm Hex Key

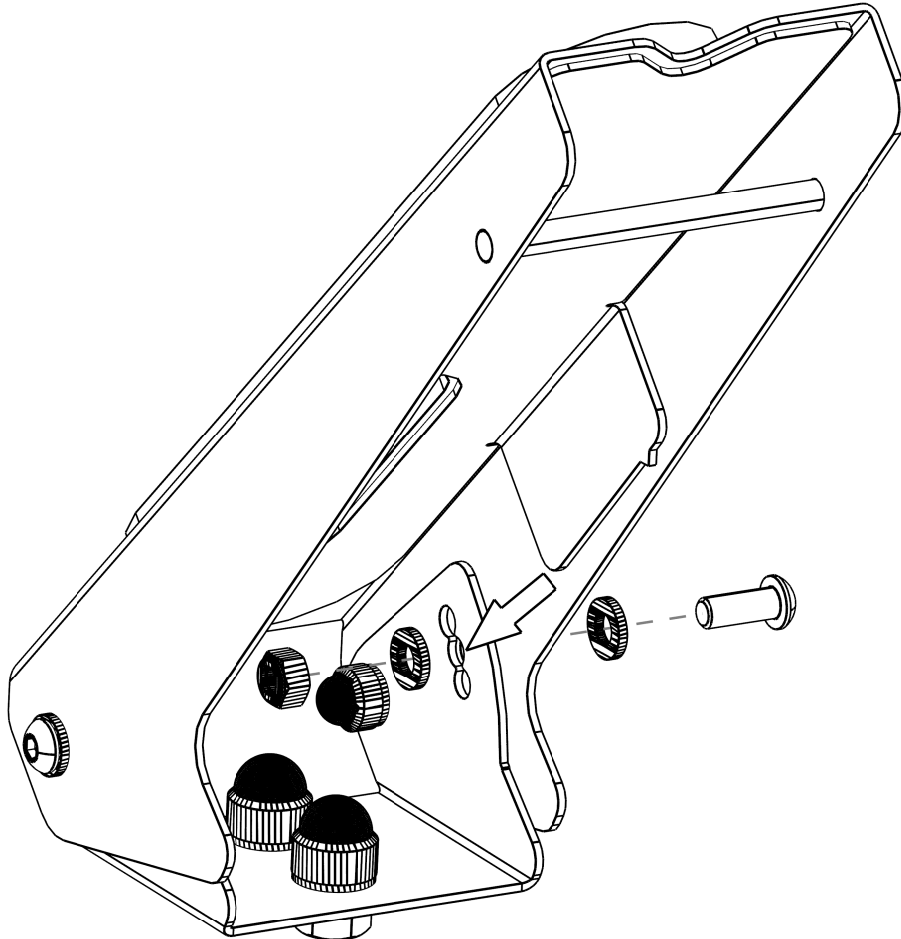
(A) Decide where on your Rack you would like to place your set of four Canoe/ Kayak Carriers. Work out the correct spacing for the length of your Canoe/ Kayak. Slide four M8 x16 Hex Bolts into the T-slot of each of the two corresponding Slats through the machined slot as shown. Place each Carrier over two Hex Bolts, with the cut out in the foam towards the inside of the rack as shown. Loosely fasten the four Carriers to the Rack using the M8 Flat Washers and M8 Nyloc Nuts supplied. Position the four Carriers left to right as required and fasten all the Nyloc Nuts. Place a M8 Nut Cap over each of the Nyloc Nuts.

Secure your Canoe / Kayak using the Stratchits supplied. The Stratchits are attached to the Carriers on the cross bar as indicated.



2 ADJUSTING YOUR CANOE / KAYAK HOLDERS

- (A) Each Holder has three settings, as indicated by the arrow, allowing you to adjust the angle of each Holder to best suite your Canoe / Kayak. To adjust the angle, loosen and remove the M6 Button Head Bolt as shown, adjust the Holder up or down as required and line the hole on the outside of the Holder up with one of the three adjustment holes on the inside of the holder. Fasten the Holder in position again using the Button Head Bolt removed earlier.



- (B) Congratulations, you have completed your installation. Take a step back and admire your work. Good Job!

3 INSTALL OTHER VEHICLE AND RACK ACCESSORIES

- (A) Now's the time to visit your favorite Front Runner dealer in person or online.