



INSTALL TIME: 5 Mins

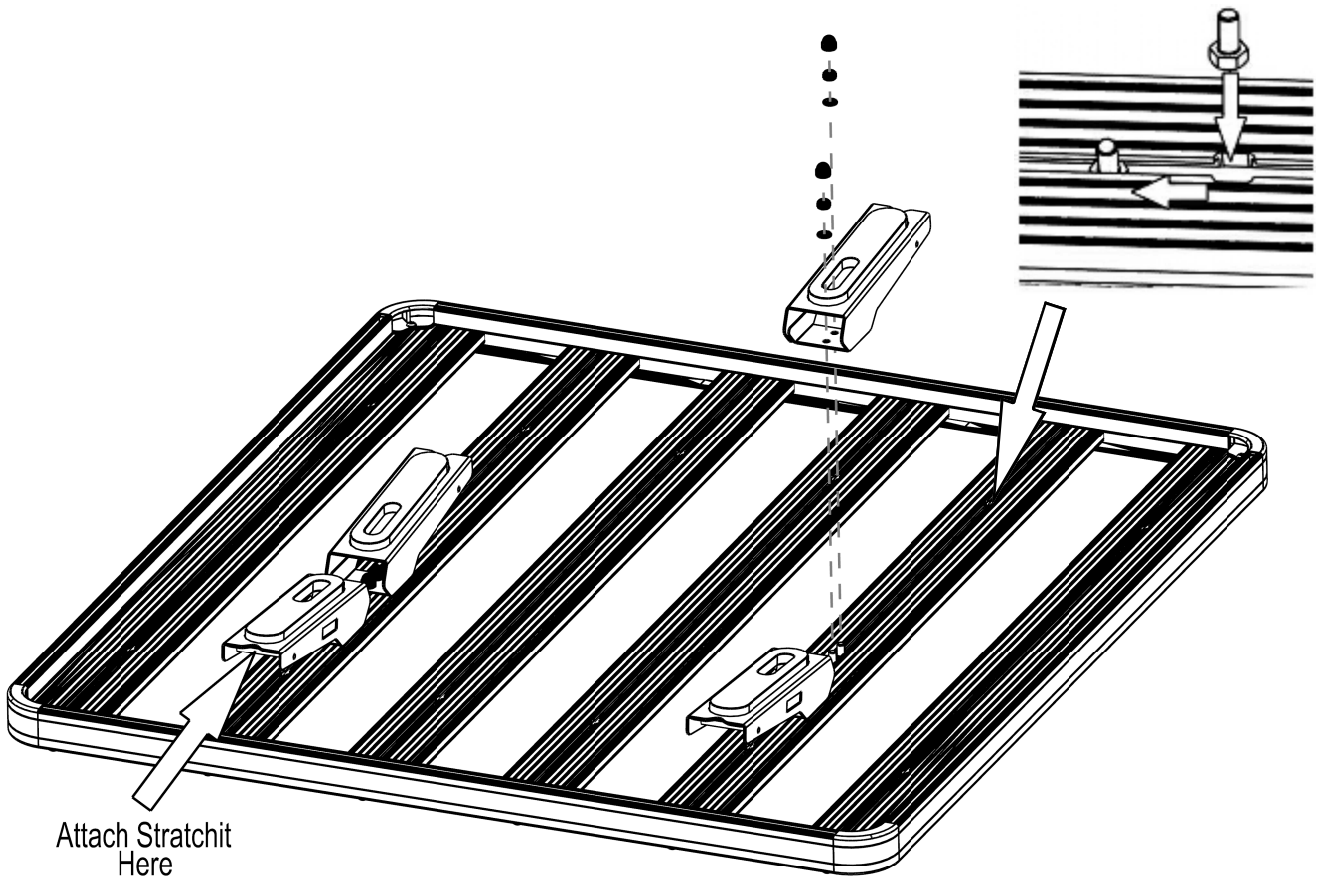
1 FIT YOUR SURF BOARD CARRIERS

You will need:

- 13 mm Flat Wrench

- (A) Decide where on your Rack you would like to place your set of four Carriers. Work out the correct spacing for the length of your Board. Slide four M8 x 16 Hex Bolts into the T-slot of each of the two corresponding Slats through the machined slot as shown. Place each Carrier over two Hex Bolts, with the cut out in the foam towards the inside of the rack as shown. Loosely fasten the four Carriers to the Rack using the M8 Flat Washers and M8 Nyloc Nuts supplied. Position the four Carriers left to right as required and fasten all the Nyloc Nuts. Place a M8 Nut Cap over each of the Nyloc Nuts.

Secure your Board using the Stratchits supplied. The Stratchits are attached to the Carriers on the cross bar as indicated.



- (B) Congratulations, you have completed your installation. Take a step back and admire your work. Good Job!