

INSTALLATION MANUAL

PRODUCT: **ROOF RACK**
MODEL: **VOLKSWAGEN AMAROK (2010-2016)**
VOLKSWAGEN AMAROK (2016-on)
PART NO: **2D.5803.1.K**



CAUTION!

To reduce the risk of serious injury or damage, please read and understand all instructions and procedures before attempting to install or use this product.
Safety glasses must be worn at all times during installation or maintenance of this product.
Ensure all mounting bolts are tensioned after 1000 kms and periodically there after.

ROOF RACK

Part Number: 2D.5803.1.K
to suit 2D.0004.1 roof rack

Suited to vehicle: VW Amarok 2010-2016; 2016-ON
Material: Aluminum (tube 30x3 mm, 25x3 mm)
Dimensions: 1433x1170x163mm
Weight: 15.6 kg



SAFETY NOTICE

- * The RIVAL roof rack is designed to compliment the use and design of the specified vehicle under conditions specified by the car manufacturer.
- * While driving the vehicle at any speed, collision with any other vehicle, animal or object must always be avoided.
- * The operation of a vehicle where the roof rack is not properly attached and fastened to the vehicle, or where it has been damaged, must be avoided at all cost.
- * It is recommended that you carry out regular inspections of all the bracket fittings.

INSTALLATION NOTICE

- * The RIVAL roof rack must be mounted and affixed to the vehicle according to the installation manual provided by an authorized RIVAL dealer or Motor dealer or by a special vehicle repair or fitment center.
- * Personal safety during the installation process must be adhered to at all times and the use of personal safety equipment is highly recommended.

REQUIRED TOOLS

- * Basic tool kit
- * Drill set

TORQUE SETTINGS

*M6	9 Nm
*M8	30 Nm

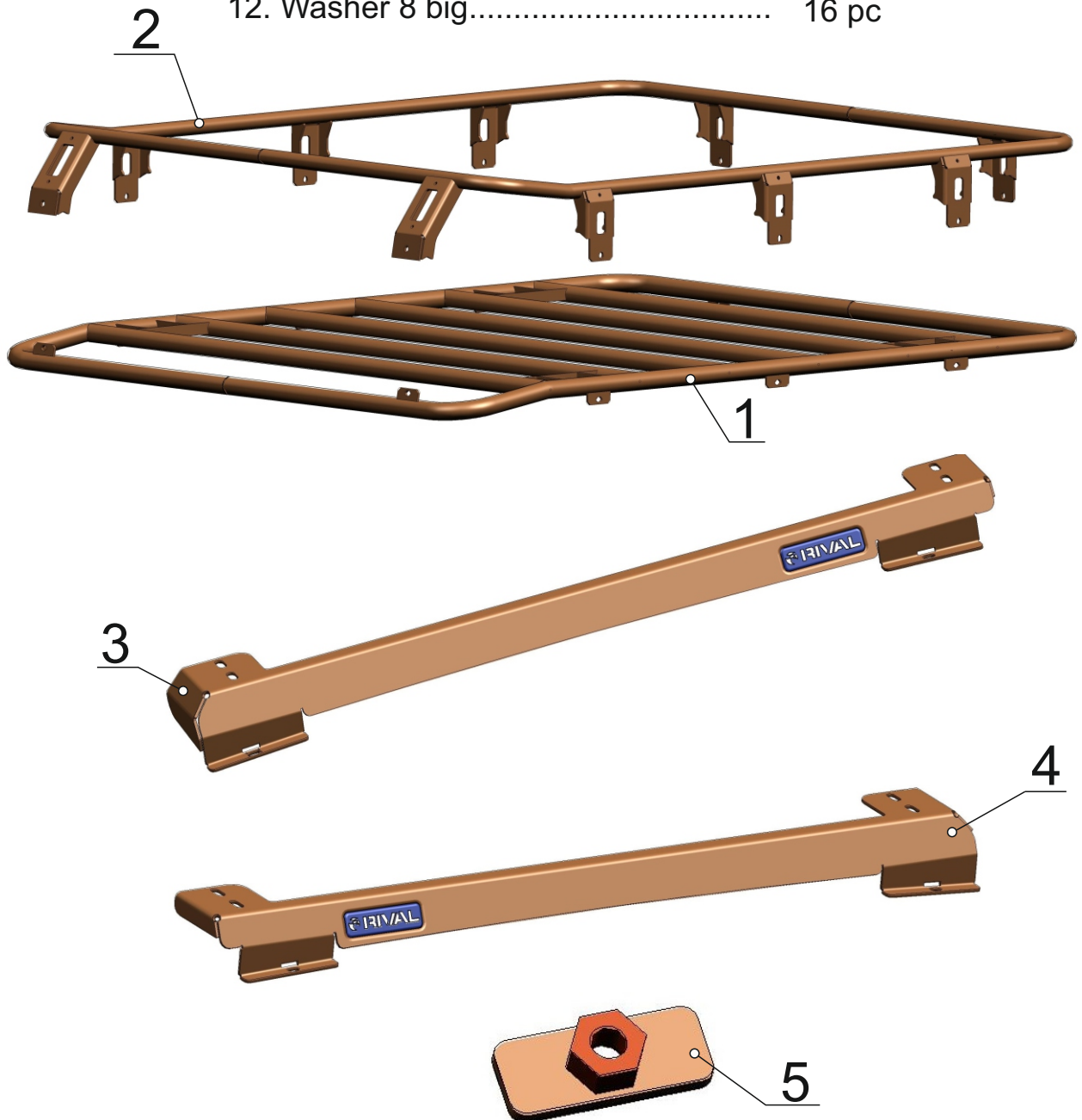
ADDITIONAL INFORMATION

LIGHTS

There are mounting points located on roof rack for mounting 4 lights.
The distance between lights 200 mm.
Mounting hole diameter 9 mm.
Total mounting area length 600 mm.

PARTS LISTING

1. Lower rack.....	1 pc
2. Upper basket.....	1 pc
3. Left bracket.....	1 pc
4. Right bracket.....	1 pc
5. Insert nut.....	10 pc
6. Bolt M8x25.....	8 pc
7. Bolt M6x16.....	4 pc
8. Bolt M8x20.....	10 pc
9. Nut M8.....	8 pc
10. Washer 6 big.....	4 pc
11. Washer 8.....	10 pc
12. Washer 8 big.....	16 pc



INSTALLATION PROCEDURE



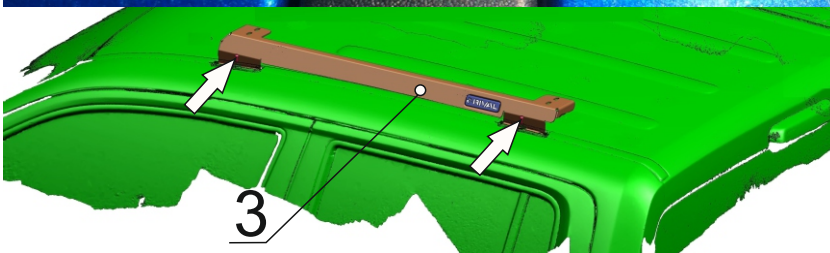
1. Remove plastic lockers on the roof of the vehicle.

*** Set aside for re-use later**



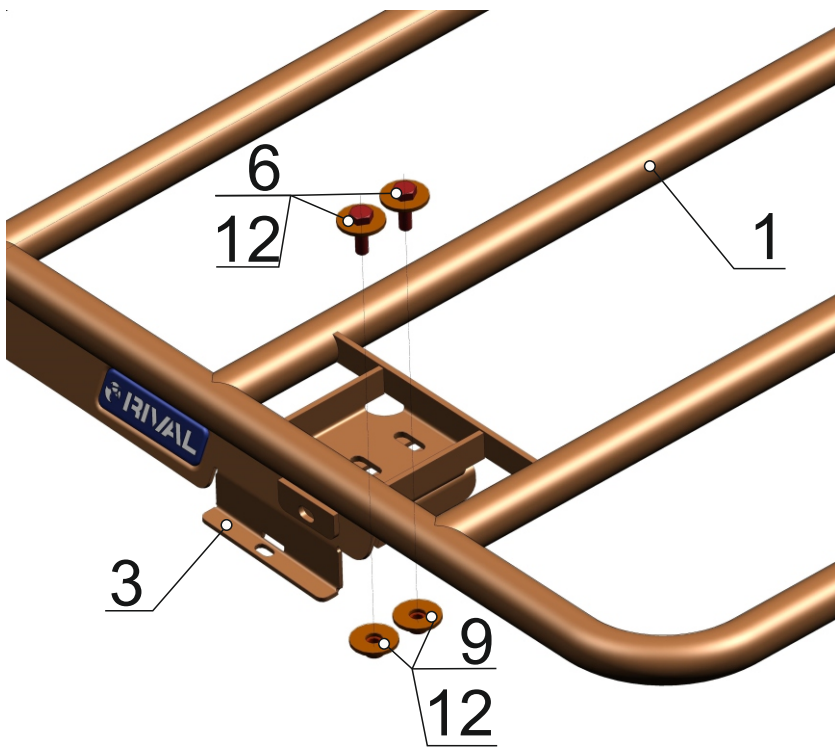
2. Remove bolts out of factory holes in the roof.

*** Set aside for re-use later**



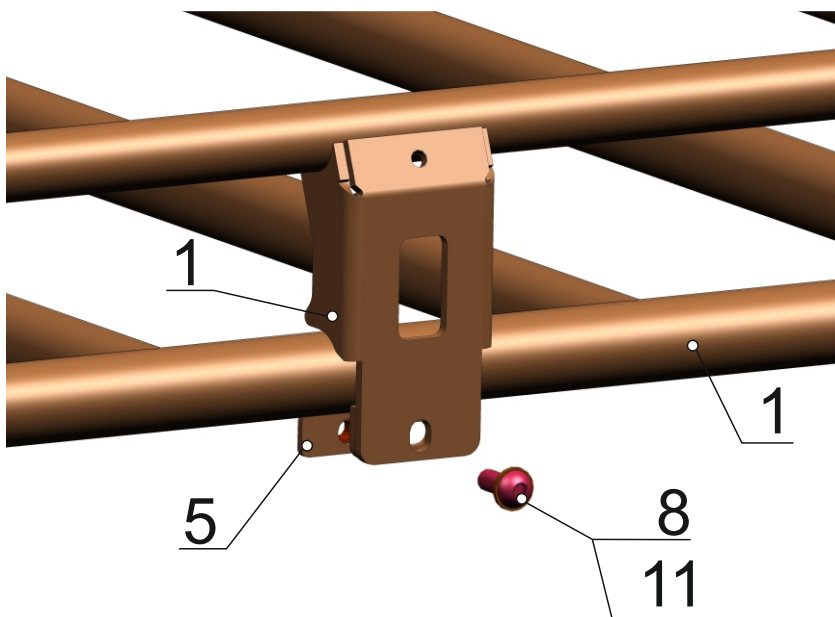
3. Place brackets (3) and (4) on the roof. Fix the brackets by bolts M6x16 (7) and washers (10). Apply polyurethane body sealant to the threads.

INSTALLATION PROCEDURE



4. Mount lower rack (1) on brackets (3) and (4). Fix it by bolts M8x25 (6), nuts M8 (9) and washers (12).

Adjust roof rack location and tighten all bolts.



5. Mount upper basket (2) to lower rack (1) using insert nut (5), bolts M8x20 (8) and washers (11).

Tighten all nuts and bolts.

INSTALLATION PROCEDURE

Before operating a vehicle fitted with a RIVAL roof rack, make sure all fittings are tightened

